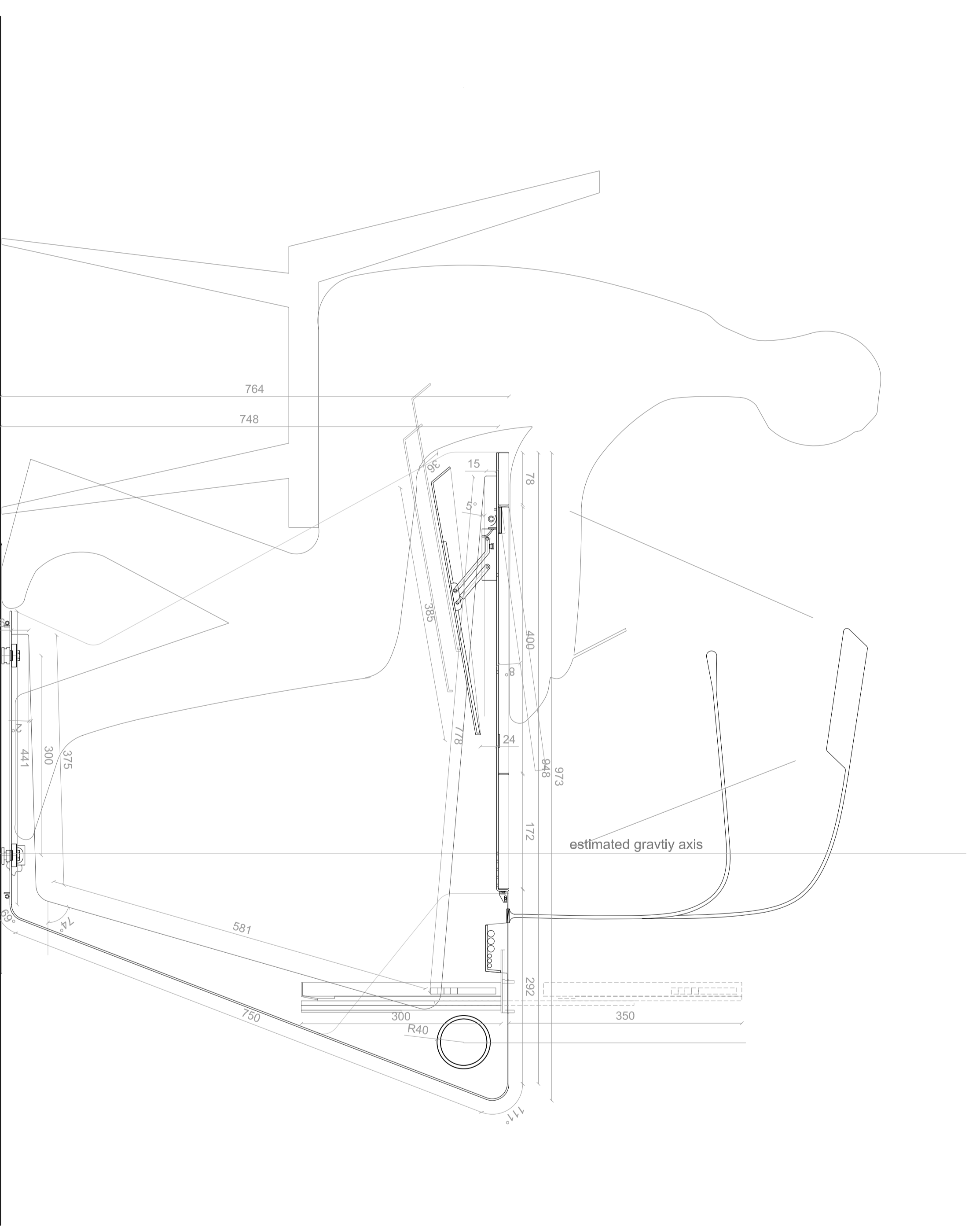
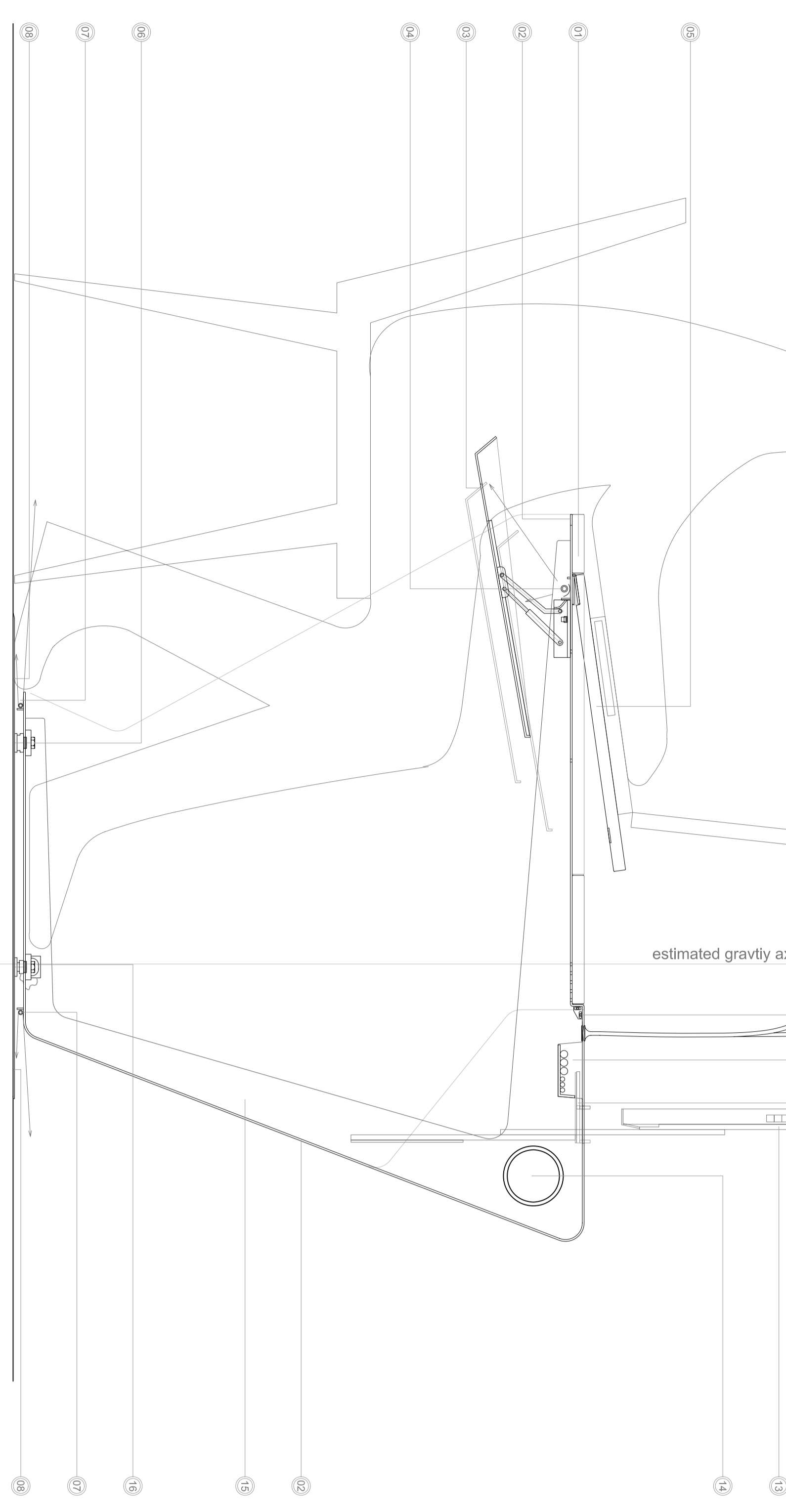
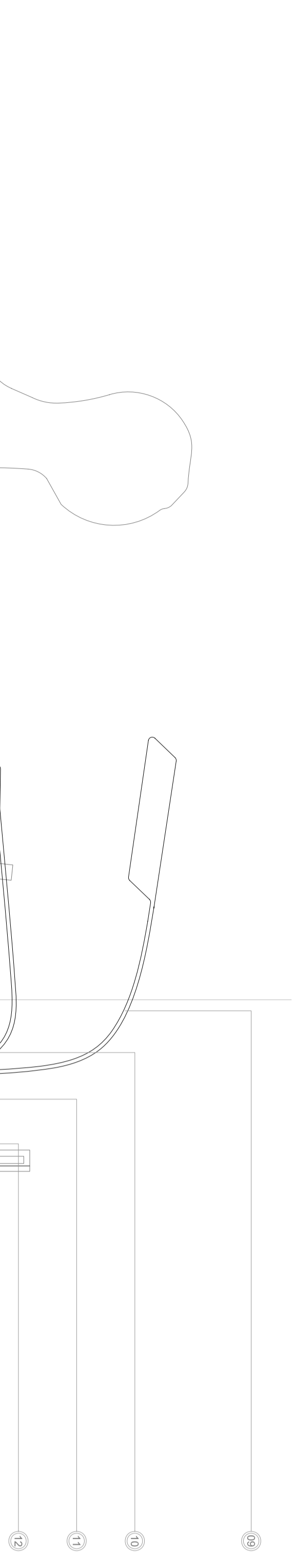


Crossed Section  
Scale: 1:5

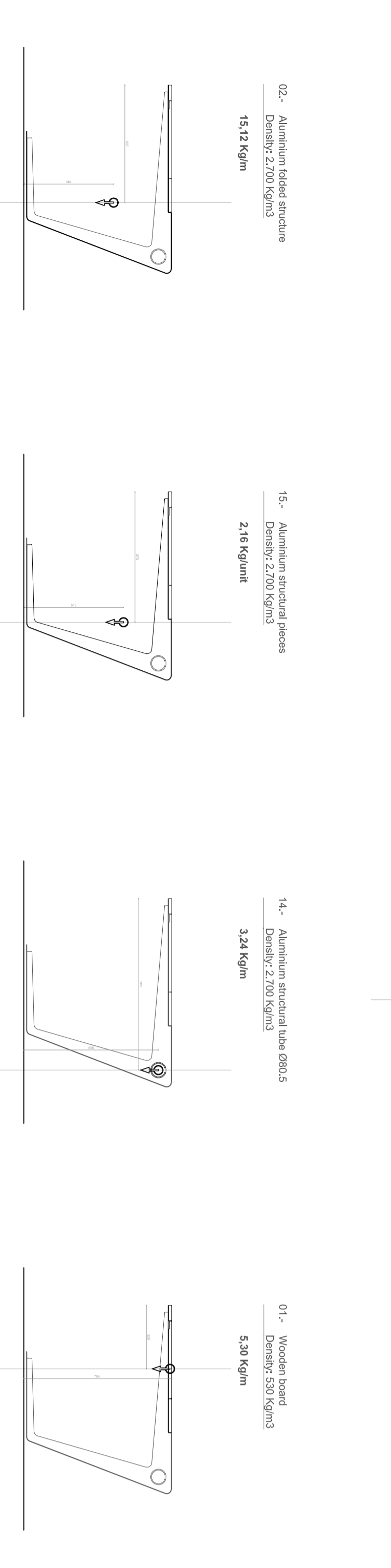


Dimensioned Section  
Scale: 1:5 (Dimensioned in mm)

- KEY**
- 01 Wooden board (18 mm thickness)
  - 02 Extruded aluminum drawer (18 mm thickness)
  - 03 Extruded aluminum drawer (18 mm thickness)
  - 04 Extruded aluminum board to working and reading
  - 05 Extruded aluminum board to working and reading
  - 06 Extruded aluminum board to working and reading
  - 07 Extruded aluminum board to working and reading
  - 08 Extruded aluminum board to working and reading
  - 09 Extruded aluminum board to working and reading
  - 10 Extruded aluminum board to working and reading
  - 11 Extruded aluminum board to working and reading
  - 12 Extruded aluminum board to working and reading
  - 13 Extruded aluminum board to working and reading
  - 14 Extruded aluminum board to working and reading
  - 15 Extruded aluminum board to working and reading
  - 16 Extruded aluminum board to working and reading
  - 17 Extruded aluminum board to working and reading
  - 18 Extruded aluminum board to working and reading
  - 19 Extruded aluminum board to working and reading
  - 20 Extruded aluminum board to working and reading
  - 21 Extruded aluminum board to working and reading
  - 22 Extruded aluminum board to working and reading
  - 23 Extruded aluminum board to working and reading
  - 24 Extruded aluminum board to working and reading
  - 25 Extruded aluminum board to working and reading
  - 26 Extruded aluminum board to working and reading
  - 27 Extruded aluminum board to working and reading
  - 28 Extruded aluminum board to working and reading



Crossed Section  
Scale: 1:5



Gravity centre and weight analysis  
Scale: 1:20

02 - Aluminium table  
Density: 2700 Kg/m<sup>3</sup>  
11.12 Kg/m

14 - Aluminium table  
Density: 2700 Kg/m<sup>3</sup>  
2.18 Kg/m

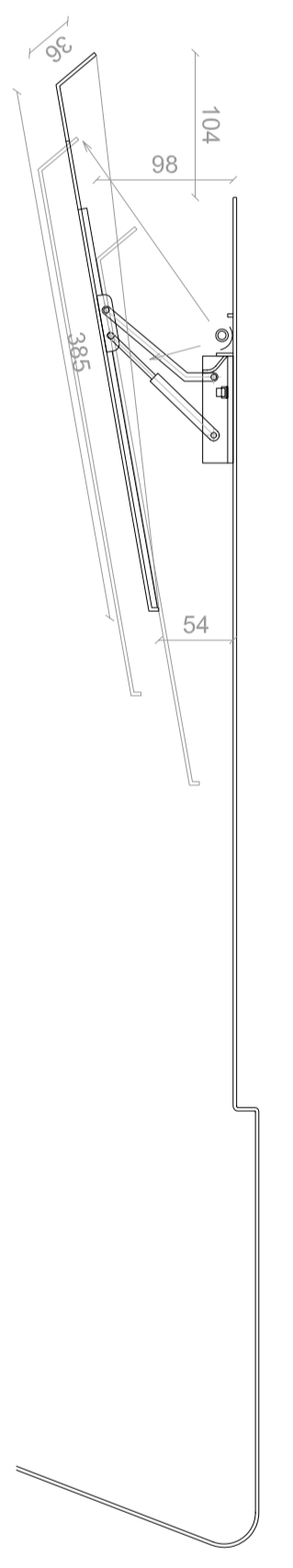
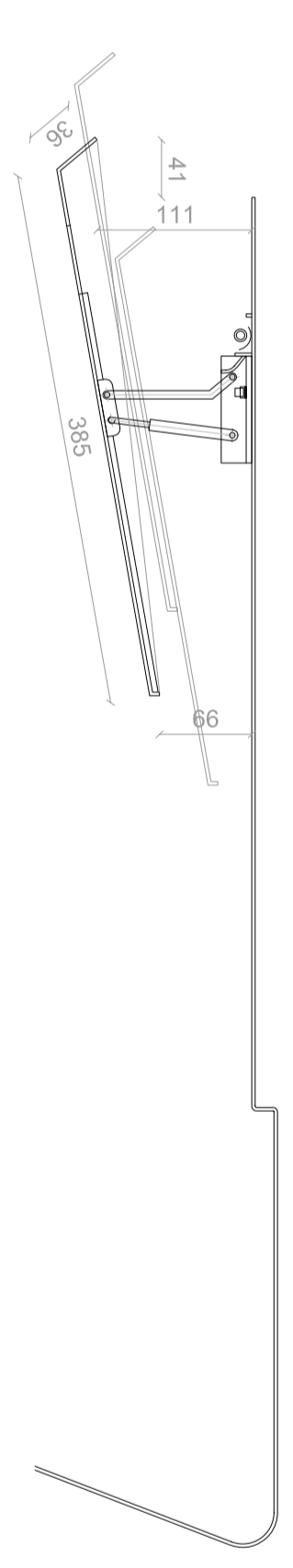
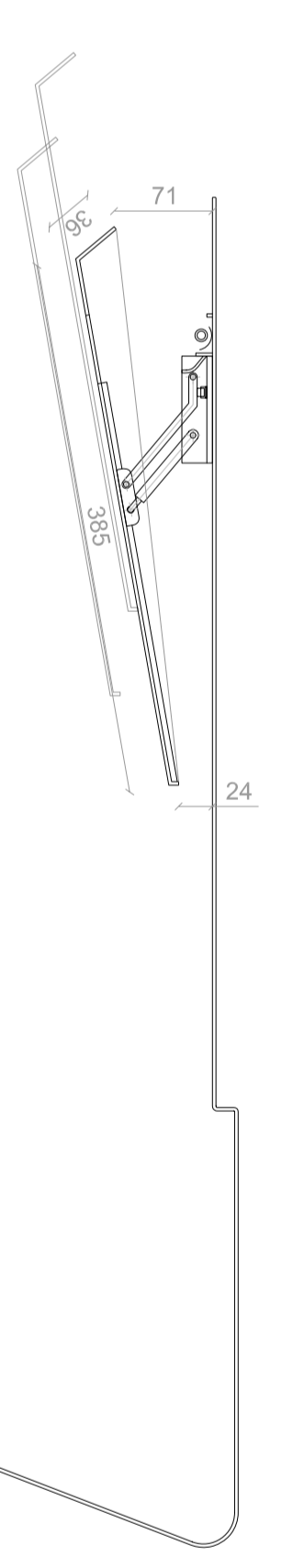
14 - Aluminium table  
Density: 2700 Kg/m<sup>3</sup>  
3.24 Kg/m

01 - Wooden board  
Density: 600 Kg/m<sup>3</sup>  
5.30 Kg/m

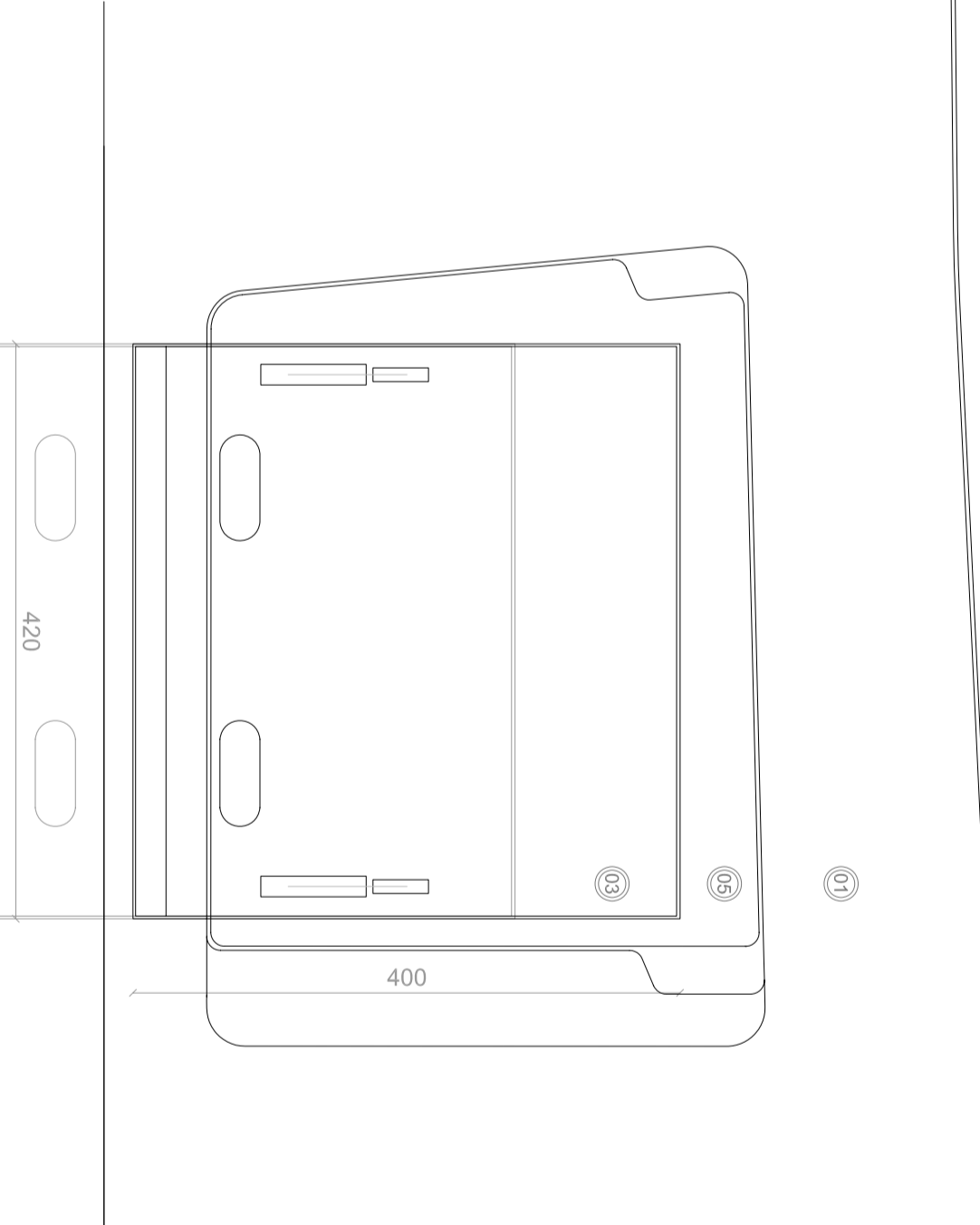
Estimated total weight for working place (person, 75 Kg)  
30 Kg/m

**Extendable aluminum drawer**

Scale: 1:5 (Dimensioned in mm)



Scale: 1:5 (Dimensioned in mm)



View from working place



Working places



Extendable drawer

